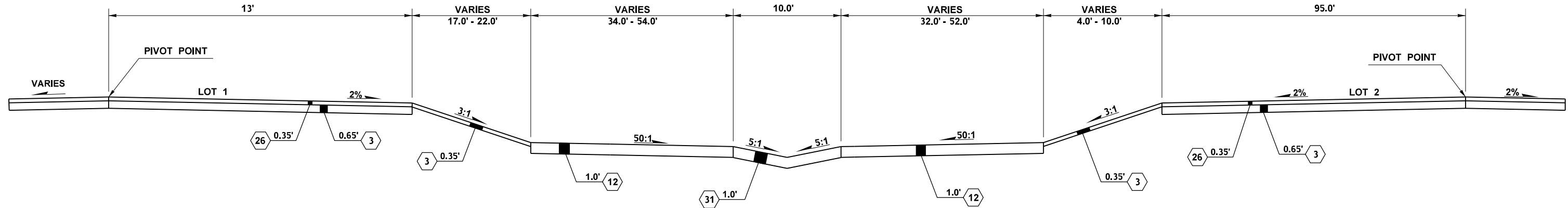
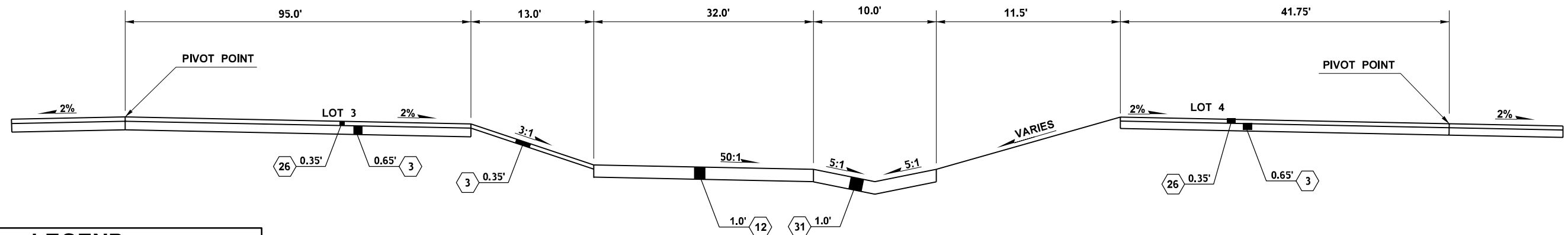


ROADWAY SECTION K

CSL 10+00 TO CSL 22+50
CSL 36+00 TO CSL 51+63.44



SECTION A-A



SECTION B-B

NOT TO SCALE

LEGEND

- 3 CRUSHED SURFACING BASE COURSE
- 12 COMPOST AMENDED VEGETATED FILTER STRIP
- 31 QUARRY SPALLS
- 26 CRUSHED SURFACING TOP COURSE

FILE NAME: K:\456001\Engineering_L2779\L2779\WorkingFiles\Working Files - Phase 1C\Maggie\Crystal Springs\L2779_Crystal SpringsParkingExhibits.dgn		REGION NO. STATE		FED.AID PROJ.NO.		 Washington State Department of Transportation		I-90		Plot 2	
TIME: 2:00:28 PM	DATE: 7/23/2010	10	WASH					SNOWSHED TO KEECHELUS DAM PHASE 1C -		PLAN REF NO. C2	
PLOTTED BY: bryantm	DESIGNED BY: G. HORCHY	JOB NUMBER				REPLACE SNOWSHED AND ADD LANES		SHEET			
ENTERED BY: M. BRYANT	CHECKED BY: J. TRUDEAU	CONTRACT NO.		LOCATION NO.		DRAINAGE AND ROADWAY SECTIONS		OF			
PROJ. ENGR.: R. GILES	REGIONAL ADM.: D. WHITEHOUSE	REVISION	DATE	BY				SHEETS			